



5.1 Ch Home Theater Speaker Package

SKS-HT235

Instruction Manual

Thank you for purchasing an Onkyo home theater speaker package. Please read this manual thoroughly before using your new speakers. Following the instructions in this manual will enable you to obtain optimum performance and listening enjoyment from your speaker package.

Please retain this manual for future reference.

使用手冊

感謝您選購 Onkyo 家庭影院音箱系統。在使用音箱前請仔細閱讀本手冊。按照手冊中的說明進行操作可以發揮設備的最佳性能，並使您獲得最好的視聽享受。

請保留本手冊以備將來查詢。

Contents

Getting Started 2

Installing & Using 6

Appendix 10

目錄

卷首語 2

安裝與使用 5

附錄 9

WARNING:

TO REDUCE THE RISK OF FIRE OR ELECTRIC SHOCK, DO NOT EXPOSE THIS APPLIANCE TO RAIN OR MOISTURE.

CAUTION:

TO REDUCE THE RISK OF ELECTRIC SHOCK, DO NOT REMOVE COVER (OR BACK). NO USER-SERVICEABLE PARTS INSIDE. REFER SERVICING TO QUALIFIED SERVICE PERSONNEL.



WARNING
RISK OF ELECTRIC SHOCK
DO NOT OPEN

AVIS
RISQUE DE CHOC ELECTRIQUE
NE PAS OUVRIR



The lightning flash with arrowhead symbol, within an equilateral triangle, is intended to alert the user to the presence of uninsulated "dangerous voltage" within the product's enclosure that may be of sufficient magnitude to constitute a risk of electric shock to persons.




The exclamation point within an equilateral triangle is intended to alert the user to the presence of important operating and maintenance (servicing) instructions in the literature accompanying the appliance.

Important Safeguards

- 1. Read Instructions** – All the safety and operating instructions should be read before the appliance is operated.
- 2. Retain Instructions** – The safety and operating instructions should be retained for future reference.
- 3. Heed Warnings** – All warnings on the appliance and in the operating instructions should be adhered to.
- 4. Follow Instructions** – All operating and use instructions should be followed.
- 5. Cleaning** – Unplug the appliance from the wall outlet before cleaning. The appliance should be cleaned only as recommended by the manufacturer.
- 6. Attachments** – Do not use attachments not recommended by the appliance manufacturer as they may cause hazards.
- 7. Water and Moisture** – Do not use the appliance near water –for example, near a bath tub, wash bowl, kitchen sink, or laundry tub; in a wet basement; or near a swimming pool; and the like.
- 8. Accessories** – Do not place the appliance on an unstable cart, stand, tripod, bracket, or table. The appliance may fall, causing serious injury to a child or adult, and serious damage to the appliance. Use only with a cart, stand, tripod, bracket, or table recommended by the manufacturer, or sold with the appliance. Any mounting of the appliance should follow the manufacturer's instructions, and should use a mounting accessory recommended by the manufacturer.
- 9. An appliance and cart combination should be moved with care.** Quick stops, excessive force, and uneven surfaces may cause the appliance and cart combination to overturn.

PORTABLE CART WARNING



S3125A
- 10. Ventilation** – Slots and openings in the cabinet are provided for ventilation and to ensure reliable operation of the appliance and to protect it from overheating, and these openings must not be blocked or covered. The openings should never be blocked by placing the appliance on a bed, sofa, rug, or other similar surface. The appliance should not be placed in a built-in installation such as a bookcase or rack unless proper ventilation is provided. There should be free space of at least 20 cm (8 in.) and an opening behind the appliance.
- 11. Power Sources** – The appliance should be operated only from the type of power source indicated on the marking label. If you are not sure of the type of power supply to your home, consult your appliance dealer or local power company.
- 12. Grounding or Polarization** – The appliance may be equipped with a polarized alternating current line plug (a plug having one blade wider than the other). This plug will fit into the power outlet only one way. This is a safety feature. If you are unable to insert the plug fully into the outlet, try reversing the plug. If the plug should still fail to fit, contact your electrician to replace your obsolete outlet. Do not defeat the safety purpose of the polarized plug.
- 13. Power-Cord Protection** – Power-supply cords should be routed so that they are not likely to be walked on or pinched by items placed upon or against them, paying particular attention to cords at plugs, convenience receptacles, and the point where they exit from the appliance.
- 14. Lightning** – For added protection for the appliance during a lightning storm, or when it is left unattended and unused for long periods of time, unplug it from the wall outlet and disconnect the antenna or cable system. This will prevent damage to the appliance due to lightning and power-line surges.
- 15. Overloading** – Do not overload wall outlets, extension cords, or integral convenience receptacles as this can result in a risk of fire or electric shock.
- 16. Object and Liquid Entry** – Never push objects of any kind into the appliance through openings as they may touch dangerous voltage points or short-out parts that could result in a fire or electric shock. Never spill liquid of any kind on the appliance.
- 17. Servicing** – Do not attempt to service the appliance yourself as opening or removing covers may expose you to dangerous voltage or other hazards. Refer all servicing to qualified service personnel.

Important Safeguards—Continued

18. **Damage Requiring Service** – Unplug the appliance from the wall outlet and refer servicing to qualified service personnel under the following conditions:
 - A. When the power-supply cord or plug is damaged,
 - B. If liquid has been spilled, or objects have fallen into the appliance,
 - C. If the appliance has been exposed to rain or water,
 - D. If the appliance does not operate normally by following the operating instructions. Adjust only those controls that are covered by the operating instructions as an improper adjustment of other controls may result in damage and will often require extensive work by a qualified technician to restore the appliance to its normal operation,
 - E. If the appliance has been dropped or damaged in any way, and
 - F. When the appliance exhibits a distinct change in performance – this indicates a need for service.
19. **Replacement Parts** – When replacement parts are required, be sure the service technician has used replacement parts specified by the manufacturer or have the same characteristics as the original part. Unauthorized substitutions may result in fire, electric shock, or other hazards.
20. **Safety Check** – Upon completion of any service or repairs to the appliance, ask the service technician to perform safety checks to determine that the appliance is in proper operation condition.
21. **Wall or Ceiling Mounting** – The appliance should be mounted to a wall or ceiling only as recommended by the manufacturer.
22. **Heat** – The appliance should be situated away from heat sources such as radiators, heat registers, stoves, or other appliances (including amplifiers) that produce heat.
23. **Liquid Hazards** – The appliance should not be exposed to dripping or splashing and no objects filled with liquids, such as vases should be placed on the appliance.

Precautions

1. Mounting

Mount the speakers as explained in this manual. Don't use the front or surround speakers without their bases as damage or injury may result.

2. AC Fuse

The fuse is located inside the chassis and is not user-serviceable. If power does not come on, contact your Onkyo authorized service station.

3. Care

From time to time you should wipe off the front and rear panels and the cabinet with a soft cloth. For heavier dirt, dampen a soft cloth in a weak solution of mild detergent and water, wring it out dry, and wipe off the dirt. Following this, dry immediately with a clean cloth. Do not use rough material, thinners, alcohol or other chemical solvents or cloths since these may damage the finish or remove the panel lettering.

Use a vacuum cleaner to remove dust from hard-to-reach grilles.

4. Power

WARNING

BEFORE PLUGGING IN THE UNIT FOR THE FIRST TIME, READ THE FOLLOWING SECTION CAREFULLY.

The voltage of the available power supply differs according to country or region. Be sure that the power supply voltage of the area where this unit will be used meets the required voltage (e.g., AC 220–230 V, 50/60 Hz) written on the rear panel.

Introduction

The SKS-HT235's stylish enclosures are made of aluminum and their slim design makes them ideal for use with LCD and plasma TVs.

SKS-HT235

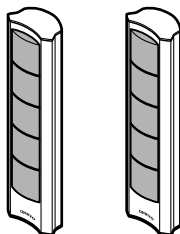
The SKS-HT235 is a 5.1-channel speaker package consisting of front left and right speakers, a center speaker, surround left and right speakers, and a powered subwoofer. Simply connect the speakers to your AV amp or receiver for superb surround sound playback.

Speaker terminals and speaker cables are color-coded for easy identification. Simply connect each speaker cable to the same-colored speaker terminals.

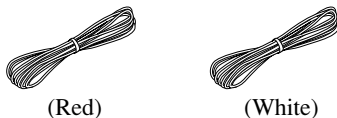
Package Contents

Make sure your box contains all of the items below. If anything is missing, contact the nearest Onkyo dealer.

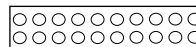
- Front speakers (SKF-404F)



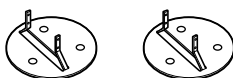
- Speaker cable for front speakers (4.5 m)



- Spacers for wall mounting [x20]



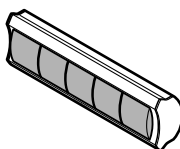
- Front speaker bases



- Front speaker base fixing screws [x8]



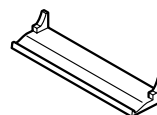
- Center speaker (SKC-404C)



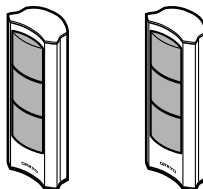
- Speaker cable for center speaker (3 m)



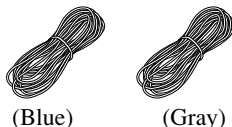
- Center speaker base



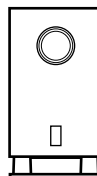
- Surround speakers (SKM-230S)



- Speaker cables for surround speakers (9 m)



- Subwoofer (SKW-240)



- RCA cable for subwoofer connection (3m)

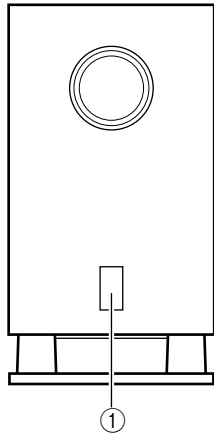


* In catalogs and on packaging, the letter added to the end of the product name indicates the color of the SKS-HT235. Specifications and operation are the same regardless of color.

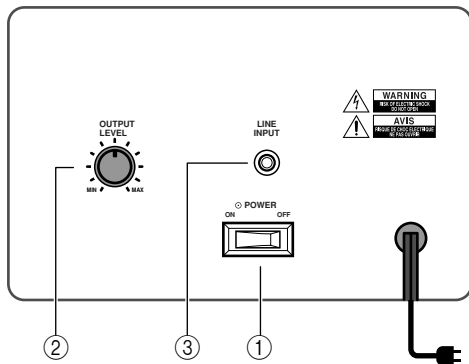
Getting to know Your Speaker Package

Subwoofer (SKW-240)

■ Front



■ Rear



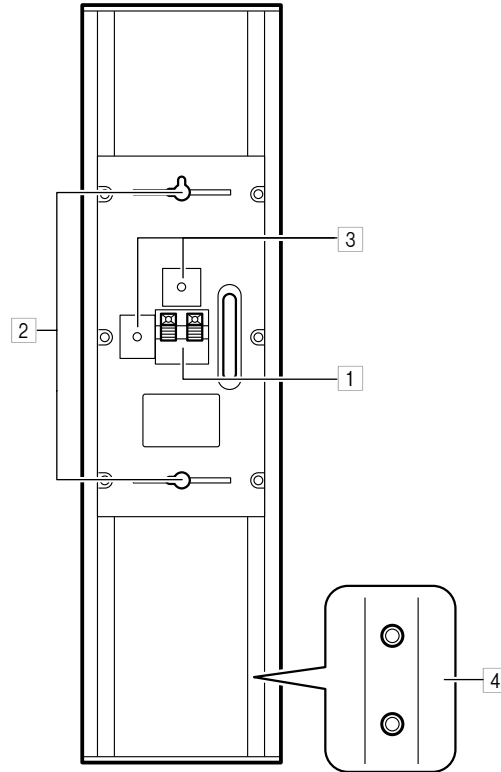
- ① **POWER switch and indicator**
To turn on the SKW-240, set the POWER switch to the ON position (the indicator lights up).
To turn off the SKW-240, set the POWER switch to the OFF position (the indicator goes out).
Red: The unit is in standby mode
Green: The unit is in operation mode

The SKW-240 automatically turns to Standby mode when no signal has been input for about 20 minutes. The SKW-240 automatically turns on when an input signal is detected in Standby mode.
- ② **OUTPUT LEVEL control**
This control is used to adjust the output level of the subwoofer.
- ③ **LINE INPUT**
The RCA input should be connected to the subwoofer preout on your AV receiver, amp, or other receiver with supplied RCA cable.

Note:

The Auto Standby function turns the subwoofer on when the input signal exceeds a certain level. If the Auto Standby function does not work reliably, try slightly increasing or decreasing the subwoofer output level on your receiver or amp.

Front, Center & Surround Speakers (SKF-404F, SKC-404C, SKM-230S)

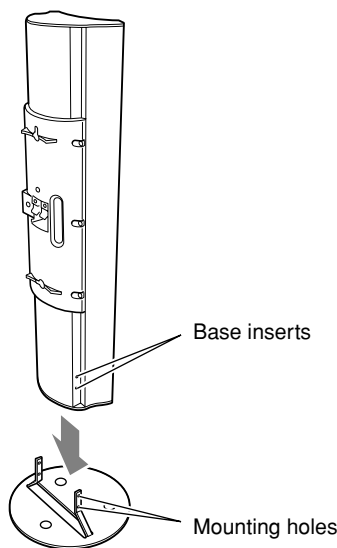


- ① **Speaker terminals**
These push terminals are for connecting the speaker to your amp, or other receiver with the supplied speaker cables. The supplied speaker cables are color-coded for easy identification. Simply connect each cable to the same-colored positive speaker terminal.
- ② **Keyhole slots**
These keyhole slots can be used to wall-mount the speaker either horizontally or vertically.
- ③ **Speaker mount/bracket inserts**
These threaded inserts can be used to attach the speaker either horizontally or vertically to a speaker mount or bracket.
Note:
Use commercially available M5 screws to attach the speaker to a speaker mount or bracket.
- ④ **Base inserts (other than center speaker)**
These threaded inserts can be used to mount the speaker on the supplied base (screws included).

Various Mounting Methods

Front Speaker Bases

If you intend to stand the front speakers on the floor or on a TV stand or AV stand, you should attach the supplied front speaker bases. To do this, align the mounting holes in the base with base inserts on the front speaker's rear panel, and secure by using four of the supplied fixing screws.

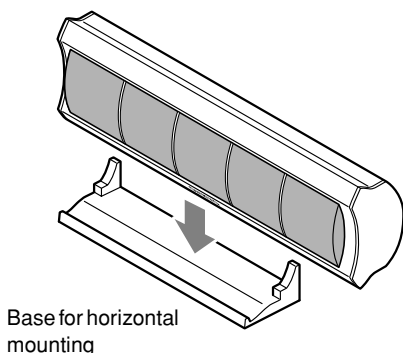


Center Speaker Base

The center speaker base is for mounting the center speaker horizontally. If you put it on a TV stand or AV stand, aim it toward the listening position. The center speaker should sit securely on the base. If it's loose, try resetting it.

Note:

- If you put the center speaker on the floor, take it off the base and position it so that it's facing slightly up toward the listener's ears.



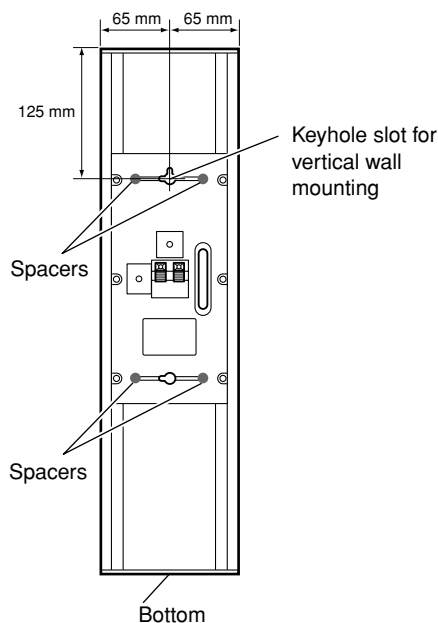
Wall Mounting

The front speakers, center speaker, and surround speakers, can easily be wall mounted by using the keyhole slots. To prevent the speaker from vibrating against the wall, attach four of the supplied spacers to the keyhole slots on the rear of each speaker.

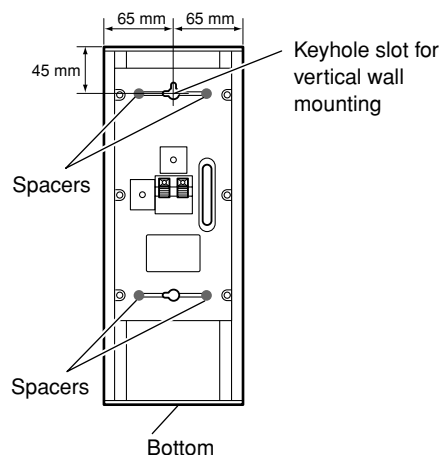
■ **Mounting vertically**

To mount the front speakers, or surround speakers, vertically, use the keyhole slot shown to hang each speaker on a screw that's securely screwed into the wall.

Front speaker



Surround speaker

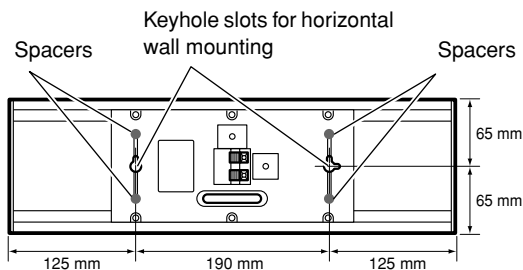


Various Mounting Methods—Continued

■ Mounting horizontally

To mount the center speaker horizontally, use the two keyhole slots shown to hang each speaker on two screws that are securely screwed into the wall.

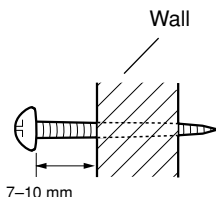
Center speaker



Caution:

A mounting screw's ability to support a speaker depends on how well it's anchored to the wall. If you have hollow walls, screw each mounting screw into a stud. If there are no studs, or the walls are solid, use suitable wall anchors. Use screws with a head diameter of 9.5 mm or less and a shank diameter of 4 mm or less. With hollow walls, use a cable/pipe detector to check for any power cables or water pipes before making any holes.

Leave a gap of between 7 mm and 10 mm between the wall and the base of the screw head, as shown.



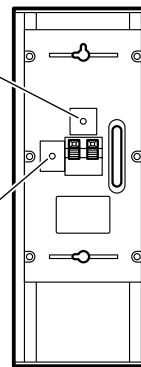
(We recommend that you consult a home installation professional.)

Using Speaker Mounts/Brackets

Threaded inserts for M5 screws are provided on the rear of each speaker for wall-mounting with commercially available speaker mounts and brackets. Refer to the manual supplied with your mounts or brackets for installation details.

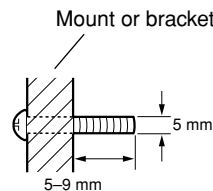
Use this hole if mounting vertically

Use this hole if mounting horizontally



Note:

The portion of the screw that goes into the speaker's threaded insert should be between 5-9 mm long.



Connecting the Speakers

Read the following before connecting your speakers:

- Turn off your amp before making any connections.
- The nominal impedance of these speakers is 8 Ω. Use only an amp that supports this impedance.
- Pay close attention to speaker wiring polarity. Connect positive (+) terminals to only positive (+) terminals, and negative (–) terminals to only negative (–) terminals. If the speakers are wired incorrectly, the sound will be out of phase and will sound unnatural.
- Be careful not to short the positive and negative wires. Doing so may damage your amp.

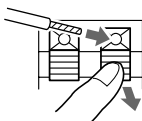


Connecting the Speaker Cables

- 1 Use the cables to connect each speaker's input terminals to the corresponding speaker output terminals on your amp.**

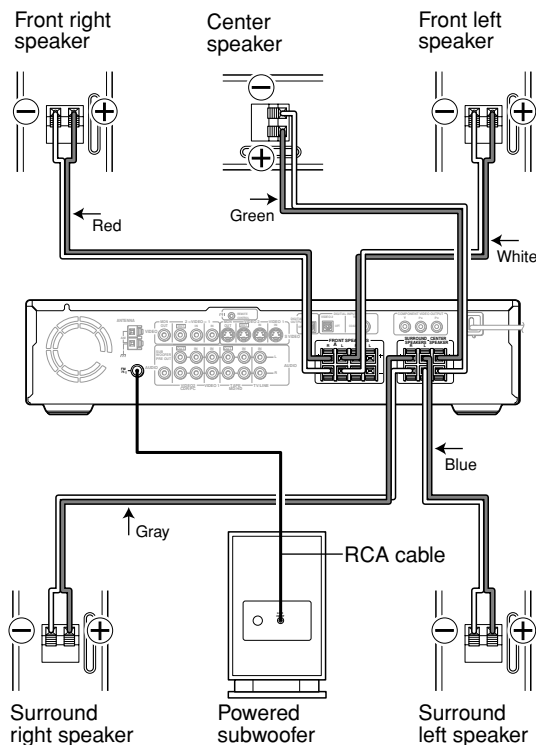
To make a connection, while pressing the terminal lever, insert the wire into the hole, and then release the lever.

Make sure that the terminals are gripping the bare wires, not the insulation.



Connecting the Subwoofer

- 1 Using the supplied RCA cable, connect the subwoofer's LINE INPUT to your amp's SUBWOOFER PREOUT.**



About Home Theater

Enjoying Home Theater

The SKS-HT235's great sound means that you can enjoy surround sound with a real sense of movement in your own home—just like being in a movie theater or concert hall.

Center speaker

This speaker enhances the front left and right speakers, making sound movements distinct and providing a full sound image. In movies it's used mainly for dialog.

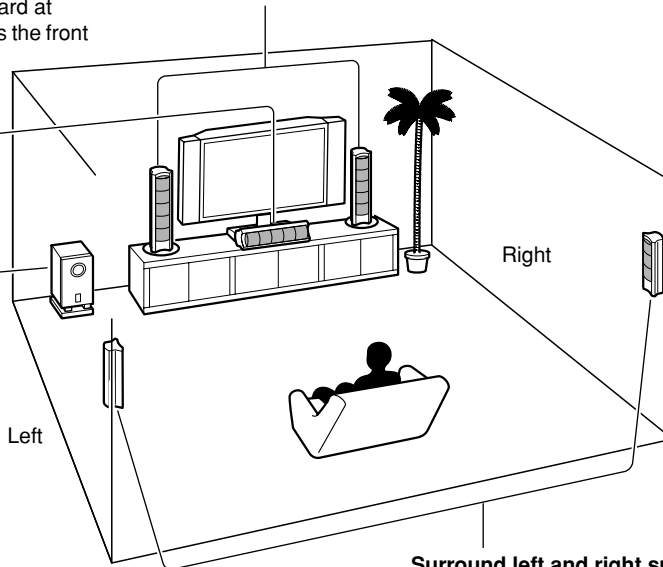
Position it close to your TV facing forward at about ear level, or at the same height as the front left and right speakers.

Front left and right speakers

These output the overall sound. Their role in a home theater is to provide a solid anchor for the sound image. They should be positioned facing the listener at about ear level, and equidistant from the TV. Angle them inward so as to create a triangle, with the listener at the apex.

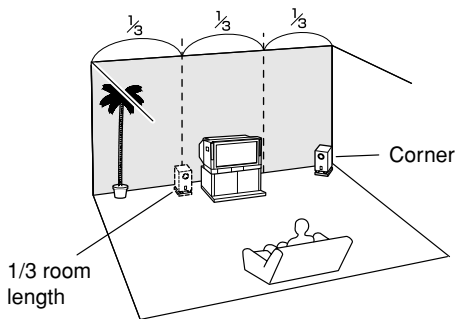
Subwoofer

The subwoofer handles the bass sounds of the LFE (Low-Frequency Effects) channel. The volume and quality of the bass output from your subwoofer will depend on its position, the shape of your listening room, and your listening position. In general, a good bass sound can be obtained by installing the subwoofer in a front corner, or at one-third the width of the wall, as shown.



Surround left and right speakers

These speakers are used for precise sound positioning and to add realistic ambience. Position them at the sides of the listener, or slightly behind, about 60–100 cm above ear level. Ideally they should be equidistant from the listener.



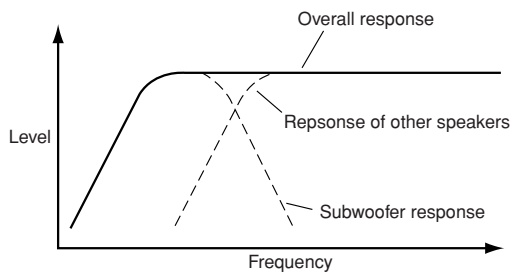
Adjustment

Setting the Subwoofer Level

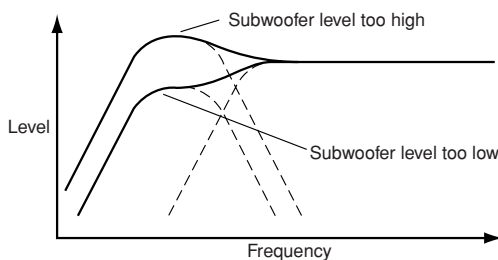
To set the level of the subwoofer, use the OUTPUT LEVEL control. Set it so that bass sounds are evenly balanced with the treble sounds from the other speakers. Because our ears are less sensitive to very low bass sounds, there's a temptation to set the level of the subwoofer too high. As a rule of thumb, set the subwoofer level to what you think is the optimal level, and then back it off slightly.



Subwoofer Level Set OK



Subwoofer Level Set Incorrectly



Caring for Your Speakers

Placement

- The speaker cabinets are made out of aluminum and are therefore sensitive to extreme temperatures and humidity, do not put them in locations subject to direct sunlight or in humid places, such as near an air conditioner, humidifier, bathroom, or kitchen.
- Do not put water or other liquids close to the speakers. If liquid is spilled over the speakers, the drive units may be damaged.
- As explained in this manual, mount the speakers on a wall or on the supplied bases, otherwise, they may fall, causing personal injury or damage to the speakers.
- Speakers with bases should only be placed on sturdy, flat surfaces that are free from vibration. Putting them on uneven or unstable surfaces, where they may fall and cause damage, will affect the sound quality.

Using Close to a TV or Computer

TVs and computer monitors are magnetically sensitive devices and as such are likely to suffer discoloration or picture distortion when conventional speakers are placed nearby. To prevent this, the SKS-HT235 speakers feature internal magnetic shielding. In some situations, however, discoloration may still be an issue, in which case you should turn off your TV or monitor, wait 15 to 30 minutes, and then turn it back on again. This normally activates the degaussing function, which neutralizes the magnetic field, thereby removing any discoloration effects. If discoloration problems persist, try moving the speakers away from your TV or monitor. Note that discoloration can also be caused by a magnet or demagnetizing tool that's too close to your TV or monitor.

The SKS-HT235 speakers contain strong magnets, so do not put magnetic or iron objects such as screwdrivers close to them. If you do, the object may be attracted to the magnets, causing personal injury or damage to a speaker cone.

Operating Precautions

The SKS-HT235 speakers can handle the specified input power when used for normal music reproduction. If any of the following signals are fed to them, even if the input power is within the specified rating, excessive current may flow in the speaker coils, causing burning or wire breakage:

1. Interstation noise from an untuned FM radio.
2. Sound from fast-forwarding a cassette tape.
3. High-pitched sounds generated by an oscillator, electronic musical instrument, and so on.
4. Amplifier oscillation.
5. Special test tones from audio test CDs and so on.
6. Thumps and clicks caused by connecting or disconnecting audio cables (Always turn off your amplifier before connecting or disconnecting cables.)
7. Microphone feedback.

Troubleshooting

Symptom	Possible cause	Remedy
There's no sound coming from certain speakers?	The speaker cables are not connected properly.	Check the speaker cables and correct as necessary.
	On the amp or receiver, the Speaker Configuration settings for those speakers are set to either None or No. Or, the number of speaker channels is not set to 5ch.	Check the Speaker Configuration settings and make sure that the speakers are set to something other than None or No. Or set the number of speaker channels to 5ch.
The subwoofer does not turn on?	The power plug is not fully inserted into the wall outlet.	Insert the power plug fully into the wall outlet.
The subwoofer produces no sound?	The OUTPUT LEVEL control is set to minimum.	Turn up the OUTPUT LEVEL control.
	The RCA cable is not properly connected to the subwoofer's LINE INPUT.	Make sure that the RCA cable is properly connected to the subwoofer's LINE INPUT.
	The level of the input signal was too low and the subwoofer entered Standby mode.	Slightly increase the subwoofer preout output level on your amp.
	On your amp or receiver, the speaker setting is set to Subwoofer No, or the subwoofer mode is set to Subwoofer Off.	Check the settings on your amp or receiver.
The subwoofer produces hardly any sound?	The source material contain little or no bass content.	Choose source material with more bass content.
A humming sound can be heard from the subwoofer?	The RCA cable is not properly connected to the subwoofer's LINE INPUT.	Make sure that the RCA cable is properly connected to the subwoofer's LINE INPUT.
	External interference from a TV or other electronic device is being picked up.	Move the subwoofer and RCA cable away from the interference source. Make sure your audio system is grounded properly.

Specifications

■ Powered Subwoofer (SKW-240)

Type:	Bass reflex with built-in power amplifier
Input sensitivity/impedance:	220 mV/15 k Ω
Maximum output power:	150 W Dynamic
Frequency response:	27 Hz–150 Hz
SN ratio:	70 dB
Cabinet capacity:	38.5 L
Dimensions (W x H x D):	275 x 518 x 411 mm
Weight:	14 kg
Drive unit:	20 cm cone woofer
Power supply:	AC 220–230 V, 50/60 Hz
Power consumption:	77 W
Other:	Auto Standby function

■ Front Speaker (SKF-404F)

Type:	2-way bass reflex front speaker
Impedance:	8 Ω
Maximum input power:	100 W
Output sound pressure level:	82 dB/W/m
Frequency response:	55 Hz–35 kHz
Crossover frequency:	5 kHz
Cabinet capacity:	3 L
Dimensions (W x H x D):	130 x 500 x 91 mm
Weight:	2.5 kg
Drive unit:	8 cm cone woofer x 2 2.5 cm balanced-dome tweeter
Other:	Magnetic shielding

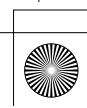
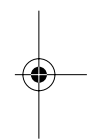
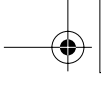
■ Center Speaker (SKC-404C)

Type:	2-way bass reflex center speaker
Impedance:	8 Ω
Maximum input power:	100 W
Output sound pressure level:	82 dB/W/m
Frequency response:	65 Hz–35 kHz
Crossover frequency:	5 kHz
Cabinet capacity:	2.6 L
Dimensions (W x H x D):	439 x 130 x 91 mm
Weight:	2.3 kg
Speaker:	8 cm cone woofer x 2 2.5 cm balanced-dome tweeter
Other:	Magnetic shielding

■ Surround Speaker (SKM-230S)

Type:	2-way bass reflex surround speaker
Impedance:	8 Ω
Maximum input power:	100 W
Output sound pressure level:	80 dB/W/m
Frequency response:	65 Hz–35 kHz
Crossover frequency:	6.5 kHz
Cabinet capacity:	2 L
Dimensions (W x H x D):	130 x 340 x 91 mm
Weight:	1.6 kg
Speaker:	8 cm cone woofer 2.5 cm balanced-dome tweeter
Other:	Magnetic shielding

Specifications and appearance are subject to change without prior notice.



警告：

為減少火災或電擊的危險，不要將設備暴露在雨中或潮濕的環境中。

注意：

為減少電擊的危險，不要取下設備的外殼（或後蓋）。內部沒有用戶可用的組件。請向合格的技术服務人員諮詢，並尋求幫助。



WARNING
RISK OF ELECTRIC SHOCK
DO NOT OPEN

AVIS
RISQUE DE CHOC ELECTRIQUE
NE PAS OUVRIR



等邊三角形內帶箭頭的閃電指示標識，用於警告用戶在產品內部有非絕緣的危險電壓存在，可能造成電擊的危險。



等邊三角形內帶驚歎號的指示標識，用於警告用戶存在與設備相關的重要的操作與維護〔服務〕指示信息。

重要的防護措施

若要維持本機多年性能不變，請遵從以下須注意的事項。

1. 避開直接受陽光照射或溫度極高或極低的地方。
2. 避開潮濕或多塵的地方及直接受音箱震蕩影響的地方。特別是，避免將本機放在其中一個音箱的上面。
3. 避免放置在不穩定的地方以及本機可能會掉下來的高處。
4. 通風設備—為了保證有足夠通風，要設置好其位置和配置。例如，通風設備前不能放置床、沙發，小地毯或類似帶面的物品以遮擋通風設備的打開。或者放置阻擋從通風設備開口的空氣流動的內裝式的書箱書櫃。應該將通風設備後側的開口處留出 20 釐米（8 英寸）的空間。
5. 熱力—應該將本機與諸如暖氣管、溫度記錄器或其他電器（包括擴音機）會產生熱能的熱源隔離。
6. 清潔內部零件應該只由合格的維修服務人員來做。
7. 倒瀉液體—應該小心不要讓物體掉進或是液體透過各洞孔倒瀉入外殼。
8. 需要維修服務的損壞—在以下的情況本機應該由合格的維修服務人員進行維修：
 - A. 電源線或插頭已被損壞；
 - B. 物體已掉進或液體已被倒瀉入本機；
 - C. 本機已被淋雨；
 - D. 本機似乎不能正常操作或者顯示出在性能上有明顯的改變；
 - E. 本機曾被跌過或是外殼已被損毀。
9. 維修服務—使用者不應試圖在操作指示所述情況以外修理本機。所有其他的維修服務應該請教合格的維修服務人員。

注意事項

1. 安裝

按照本手冊的說明安裝音箱。嚴禁在無底座的情況下使用前置音箱，否則會造成音箱損壞或人員受傷。

2. AC 保險絲

保險絲放在機裡面，不是可由用戶自行修理的。如果不能接通電源，聯絡您的 Onkyo 認可維修服務站。

3. 小心

須經常用軟布抹淨前後面板及外殼。如遇上更骯髒的污垢，將軟布浸濕在溫和的清潔劑溶液中，扭乾它然後把污垢抹掉。跟著，立即用乾淨的布抹乾。切勿用粗糙的布料、稀釋劑、酒精或其他化學溶劑，因為這可能會損毀表面塗層或者除去面板上的字母。

4. 電源

警告

在首次將本機插入電源之前，請先細心閱讀以下內容。

根據國家和地區的不同所供應的電源電壓是不同的。請確認後側面板上的額定電壓（例如，交流 AC220-230 伏 50/60 赫茲）是否與使用地區的供應電壓相符。

簡介

SKS-HT235 系列產品的附件是鋁制的，輕盈的設計非常適合用於 LCD 和等離子電視。

SKS-HT235

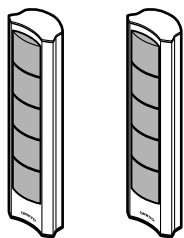
SKS-HT235 是 5.1 聲道音響系統，由左右前置音響，中置音響和左右環繞音響，以及有源式超重低音音響組成。只需將音響連接到您的 AV 功率放大器或接收器上就可以欣賞到卓越的環繞聲效。

音響終端和音響連線是帶彩色編碼的，易於分辨。只需將音響連線與對應色彩的終端連接就可以了。

包裝內容

請確認您包裝箱內有以下各項內容。如發現物品缺少，請與離您最近的 Onkyo 經銷商聯系。

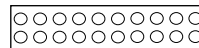
- 前置音響 (SKF-404F)



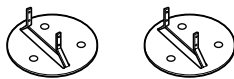
- 前置音響連線 (4.5m)



- 壁掛式防滑墊 [x20]



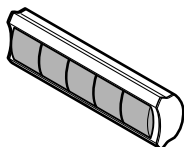
- 前置音響底座



- 前置音響底座定位螺絲 [x8]



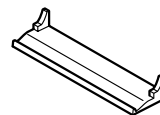
- 中置音響 (SKC-404C)



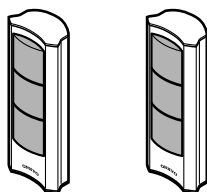
- 中置音響連線 (3m)



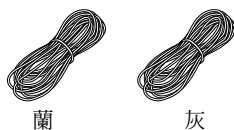
- 中置音響底座



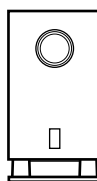
- 環繞音響 (SKM-230S)



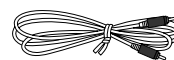
- 環繞音響連線 (9m)



- 有源式超重低音音響 (SKW-240)



- 有源式超重低音音響連接 RCA 連線 (3m)

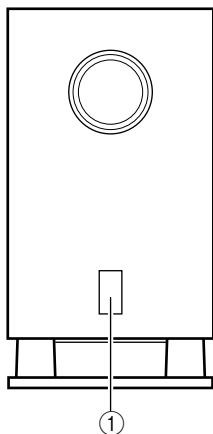


* 在產品目錄與包裝上，在產品名稱末尾處加上的字母表示 SKS-HT235 的顏色。雖然顏色不同，規格與操作都是相同的。

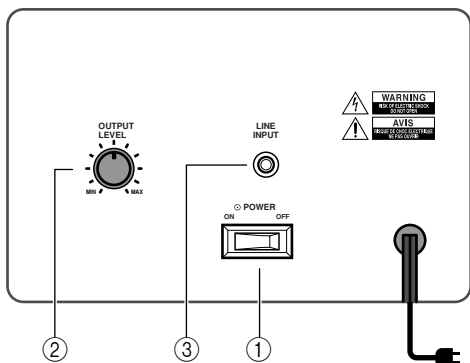
音箱系統簡介

有源式超重低音音箱 (SKW-240)

■ 前部



■ 後部



① POWER 電源開關和指示器

如要打開 SKW-240，將 POWER 電源開關設置到 ON 位置（指示器燈亮起）。

如要關閉 SKW-240，將 POWER 電源開關設置到 OFF 位置（指示器燈熄滅）。

紅色： 超重低音音箱處於待機模式

綠色： 超重低音音箱開

SKW-240 超過 20 分鐘沒有接收到輸入信號時，就會自動進入待機模式。在待機模式下，檢測到任何輸入信號時，SKW-240 就會自動開機。

② OUTPUT LEVEL 輸出電平控制

該控制用於調整超重低音音箱的音量。

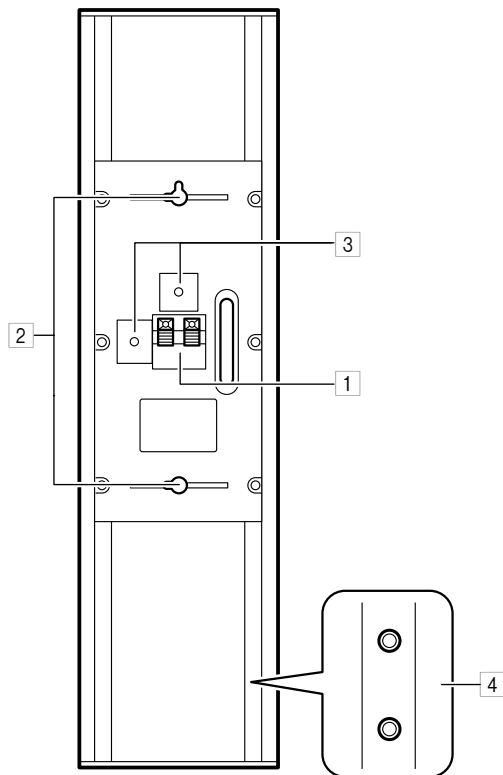
③ LINE INPUT 線錄入

RCA 輸入應連接到 AV 接收器，功率放大器或其他帶有 RCA 連線的設備上的超重低音音箱前置輸出接口。

注意：

輸出信號超過一定等級時，自動待機功能會打開超重低音音箱。如果自動待機功能無法正常工作，請嘗試稍微提高或降低接收器或功率放大器的重低音輸出音量。

前置，中置和環繞音箱 (SKF-404F, SKC-404C, SKM-230S)



① 音箱終端

這些插入式終端用於連接音箱與放大器，或其他接收器，可使用隨機提供的連線。連線帶有彩色編碼，便於分辨。將連線與色彩對應的音箱正極連接即可。

② 壁掛式安裝孔

這些安裝孔可用於垂直或水平壁掛式安裝。

③ 音箱支架 / 托架插孔

這些穿入式插孔用於將音箱水平或垂直固定在支架或托架上。

注意：

需要另外購買 M5 螺絲，用於將音箱固定在支架或托架上。

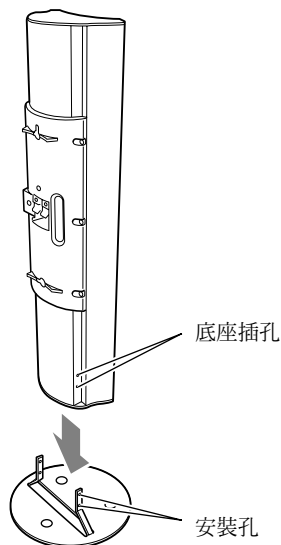
④ 底座插孔（不包括中置音箱）

這些穿入式插孔用於將隨機提供的底座安裝在音箱上（帶螺絲）。

各種安裝模式

前置音箱底座

如果希望將前置音箱立式放置在地板上或電視支架與 AV 支架上，需要安裝隨機提供的前置音箱底座。要進行此操作，將底座上的安裝孔與前置音箱的底座插孔對齊，然後用隨機提供的螺絲將其固定在音箱上。

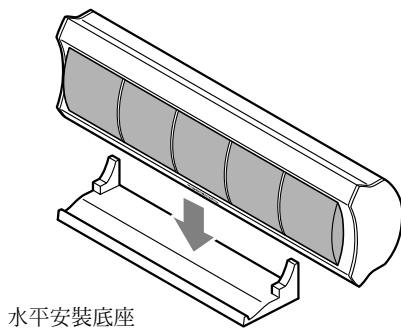


中置音箱底座

中置音箱底座用於水平安裝中置音箱。如果需要將音箱放置在電視支架上或視聽設備支架上，請將音箱面對聆聽位置放置。中置音箱應牢固安裝在底座上，如果鬆動，請重新安裝。

注意：

- 如果將中置音箱放在地板上，要把音箱從底座上取下，將其放置在面對聆聽者，高度稍微高出耳朵的位置。



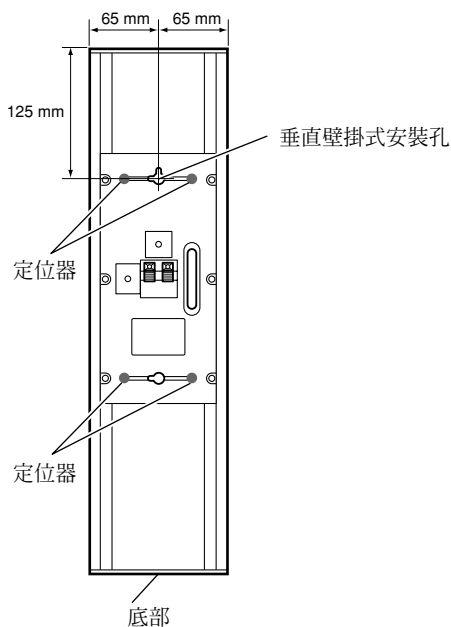
壁掛式安裝

前置音箱，中置音箱或環繞音箱可以通過壁掛式安裝孔安裝在牆壁上。為防止音箱震動，將隨機提供的四個定位器分別安裝在各個音箱的後面。

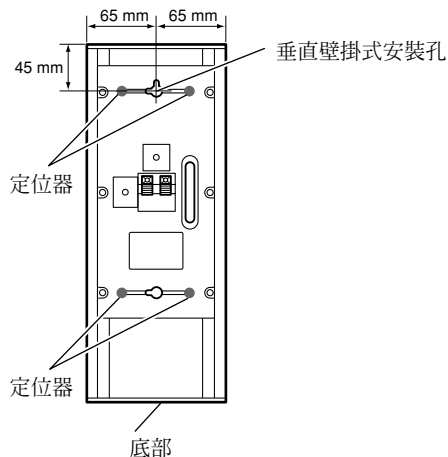
■ 垂直安裝

要垂直安裝前置或環繞音箱，需要使用壁掛孔將各個音箱掛在打進牆壁的螺絲上。

前置音箱



環繞音箱

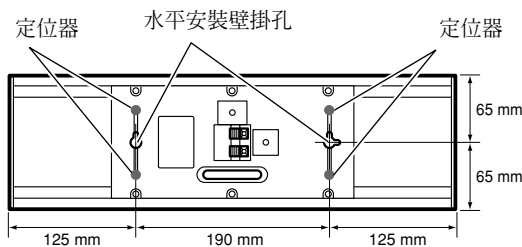


各種安裝模式 - 續

■ 水平安裝

要水平安裝中置音箱，使用如圖所示的兩個壁掛孔將音箱分別掛在兩個打進牆壁的螺絲上。

中置音箱

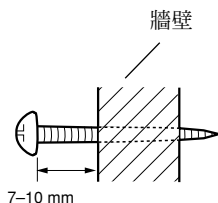


注意：

安裝螺絲能否支撐音箱，取決於螺絲打進牆壁的程度。如果牆壁是中空的，需要將螺絲打在壁骨上。如果沒有壁骨，或牆壁是實體的，則需要使用合適的牆壁支架。

使用頭徑為 9.5mm 以下或釘直徑為 4mm 以下的螺絲。對於中空牆，在鑽孔前，請使用線纜或管道探測器檢查是否有電源線或水管。

如圖所示，在牆壁和螺絲釘頭之間要保留 7-10mm 的距離。



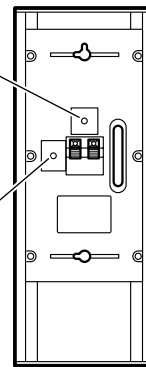
(建議在安裝前諮詢專業家庭安裝顧問。)

使用音箱安裝支架 / 托架

在各個音箱的後面都有用於壁掛式安裝的 M5 螺絲穿入式插孔，用於安裝單獨購買的音箱安裝支架和托架。安裝支架或托架的詳細信息請參考支架的使用手冊。

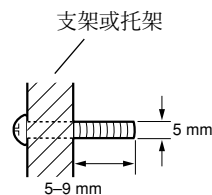
如果垂直安裝，請使用此孔

如果水平安裝，請使用此孔



注意：

如圖所示，插入音箱掛孔的螺絲長度應該在 5-9mm 之間。



音箱的連接

連接音箱前，請閱讀以下內容。

- 在建立任何連接前，請關閉功率放大器。
- 這些揚聲器的正常阻抗為 $8\ \Omega$ ，只能使用可支持此阻抗值的放大器。
- 請特別注意音箱連線的極性。正極端子 (+) 只能與正極端子 (+) 連接，負極端子 (-) 只能與負極端子 (-) 連接。如果音箱連接不正確，會出現聲音不同步或聲音失真的現象。
- 小心不要造成正負極短路。如果短路會對功率放大器造成損害。

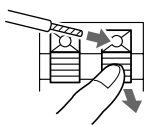


音箱連線的連接

- 1 使用連線將音箱輸入終端與放大器上相應的輸出終端連接起來。

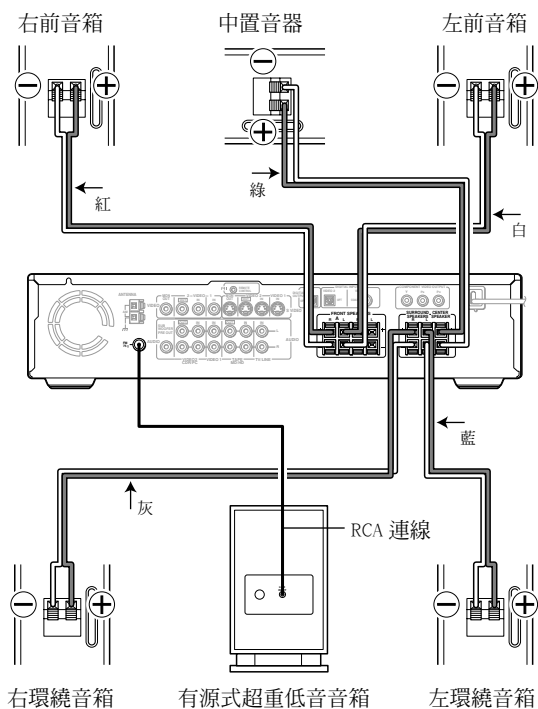
如需要建立連接，一邊按下終端的閘桿，將線插入終端孔中，然後鬆開即可。

確認終端牢牢抓住了露出的線芯，而不是絕緣層。



連接超重低音音箱

- 1 使用隨機提供的 RCA 連線，將超重低音音箱的 LINE INPUT 接口與放大器的 SUBWOOFER PREOUT 接口連接。



關於家庭影院

欣賞家庭影院

SKS-HT235 卓越的聲響效果可以使您在自己家中就可以欣賞帶有真實動感的環繞聲 – 如同身臨其境在電影院或音樂廳。

中置音箱

此音箱增強了左前和右前音箱的效果，使聲音動態更具立體感，提供一個完全的聲像。在電影中主要用於對話。

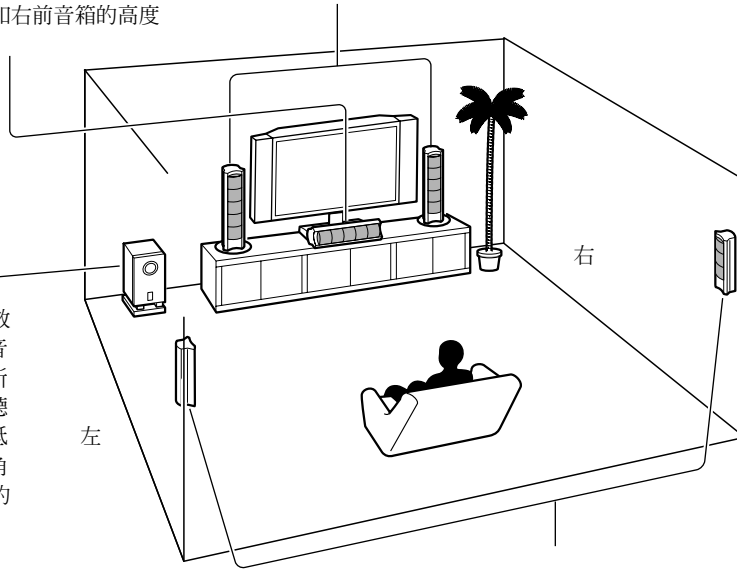
將音箱放置在靠近電視的地方，面對聽眾，高度與耳朵保持齊平，或者與左前和右前音箱的高度一致。

左前和右前音箱

這些音箱輸出主體聲音。他們在家庭影院中的角色是為聲像提供固定錨點。左前和右前音箱應放置在面對聆聽者與其耳部高度保持一致的地方，離電視的距離相等。將音箱向內放置形成一個三角，而聆聽者位於角的頂端。

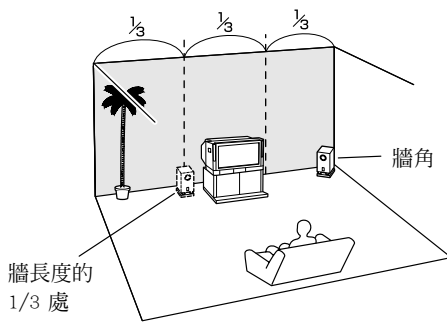
超重低音音箱

超重低音音箱處理 LFE（低頻效果）聲道的低音。從超重低音音箱輸出的低音音量和音質由其所在的位置，聆聽室的形狀，聆聽位置決定。總的來說，將超重低音音箱安裝在如圖所示的前牆角或在牆的 $1/3$ 處，可以獲得好的低音效果。



左環繞和右環繞音箱

這些音箱用於聲音的精確定位，並增添真實感。將環繞音箱放置在聆聽者的兩側，或稍微靠後的地方，高於耳部大約 60–100cm。與聆聽者的距離相等時，效果最為理想。



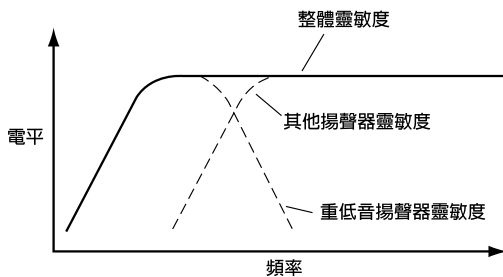
調試

設置有源式超重低音音箱的音量

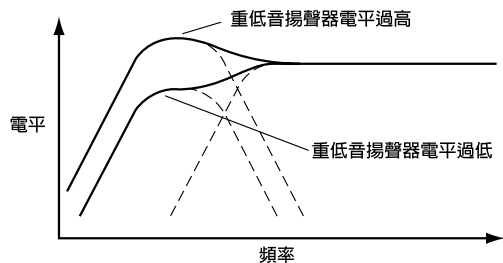
如需設置有源式超重低音音箱的音量，可以使用 OUTPUT LEVEL（輸出電平）控制。設置輸出電平，使低音與其他音箱輸出的高音保持均衡一致。因為我們的耳朵對音量極低的低音不敏感，容易把有源式超重低音音箱的音量設置過高。按照經驗，先將有源式超重低音音箱設置為您認為最理想的音量，然後再調低一些即可。



正確的有源式超重低音音箱電平設置



不正確的有源式超重低音音箱電平設置



音箱的保養

放置

- 音箱體是鋁制的，因此對高熱，或過於潮濕十分敏感。嚴禁將音箱放置在陽光直射或潮濕的地方，如靠近空調，加濕器，浴室，或廚房。
- 嚴禁將水或其他液體放置在靠近音箱的地方。如果液體潑濺到音箱上，會造成驅動設備損壞。
- 按照手冊中的指示說明，將音箱安裝在牆壁上，或放置在隨機提供的底座上，否則會造成音箱跌落，造成人員受傷或音箱受損。
- 音箱應放置在平坦牢固的表面，遠離震動。將音箱放置在不平或不穩的表面，可能會導致滑落造成音箱受損，從而影響音質。

靠近電視或計算機使用時

電視和計算機顯示器是磁性敏感設備，因此會受到傳統音箱的影響，如果放置在他們旁邊會造成脫色或畫面變形。為防止此類情況發生，SKS-HT235 音箱帶有內部磁性屏蔽。但是在某些情況下，仍然會發生脫色現象。您需要關閉電視或顯示器，等待 15-30 分鐘，然後再打開。這樣可以啟動消磁功能，中和磁場，便可消除脫色的影響。如果脫色問題持續存在，請從電視或顯示器旁移開音箱。

注意：脫色也可能是由於磁場或消磁工具距離電視或顯示器太近造成。

SKS-HT235 音箱帶有強大的磁場，因此嚴禁將磁性物品或鐵器如螺絲刀放置在靠近音箱的地方。如果不慎如此，會造成物體被磁場吸附，造成人體傷害或音箱喇叭受損。

操作注意事項

SKS-HT235 音箱用於播放普通音樂時，可以處理指定的輸入功率。如果以下的任何信號被輸入到音箱，即使輸入功率在額定頻率內，也會對音箱線圈造成過量電流，出現著火或線路損壞。

1. 來自未調頻的 FM 電台的台間干擾。
2. 磁帶快進時發出的聲音。
3. 震蕩器，電子樂器等發出的高音調樂音。
4. 放大器震蕩。
5. 音頻測試 CD 等發出的特殊測試音調。
6. 由於連接或斷開音頻連線造成的噪音和卡嗒聲（在連接或斷開連線前，請關閉您的功率放大器。）
7. 麥克風的回響。

常見問題

現象	問題原因	解決辦法
某些音箱沒有聲音？	音箱連接不正確。	檢查音箱連線，並做必要的糾正。
	在放大器或接收器上，這些音箱的配置設置為 NONE 或 NO，或音箱的信道設置不是 5ch。	檢查音箱配置設置，並確認音箱設置不是 NONE 或 NO，或音箱的信道設置是 5ch。
有源式超重低音音箱無法打開？	電源插頭沒有完全插入插座內。	將電源插頭完全插入牆上的插座。
有源式超重低音音箱沒有聲音？	OUTPUT LEVEL 控制被設置為最低。	打開 OUTPUT LEVEL 控制。
	RCA 連線沒有正確連接到有源式超重低音音箱的 LINE INPUT 接口。	確認 RCA 連線正確連接到了有源式超重低音音箱的 LINE INPUT 接口。
	輸入信號的音量過低，有源式超重低音音箱進入待機模式。	稍微增加功率放大器有源式超重低音音箱的前置輸出音量。
有源式超重低音音箱幾乎不發出聲音？	在放大器或接收器上，音箱被設置為 Subwoofer No，或超重低音音箱模式設置為 Subwoofer Off。	檢查放大器或接收器的設置。
	播放材料源帶有很少或沒有低音。	選擇帶有更多低音內容的播放材料源。
聽到有源式超重低音音箱發出噹噹聲？	RCA 連線沒有正確連接到有源式超重低音音箱的 LINE INPUT 接口。	確認 RCA 連線已正確連接到了有源式超重低音音箱的 LINE INPUT 接口。
	接受到來自電視或其他電器的外部干擾。	使超重低音音箱和 RCA 連線遠離干擾源。確認您的音頻系統已正確接地。

規格

■ 有源式超重低音音箱 (SKW-240)

類型：	帶內置式放大器低音反射 音箱
輸入靈敏度 / 阻抗：	220 mV/15k Ω
最大輸出功率：	150 W，動態
頻率響應：	27 Hz-150 Hz
信噪比	70 dB
箱體容積：	38.5 L
尺寸：(寬×高×長)	275 × 518 × 411 mm
重量：	14 kg
驅動設備：	20 cm 圓錐形低音音箱
電源：	AC220-230 V，50/60 Hz
功耗：	77W
其他：	自動待機功能

■ 前置音箱 (SKF-404F)

類型：	2 路低音反射前置音箱
阻抗：	8 Ω
最大輸入功率：	100 W
輸出音壓位准：	82 dB/W/m
頻率響應：	55 Hz-35 kHz
交叉頻率：	5 kHz
箱體容積：	3 L
尺寸：(寬×高×長)	130 × 500 × 91 mm
重量：	2.5 kg
驅動設備：	8cm 圓錐形低音音箱 × 2， 2.5 cm 均衡圓蓋形高頻音箱
其他：	磁性屏蔽

■ 中置音箱 (SKC-404C)

類型：	2 路低音反射中置音箱
阻抗：	8 Ω
最大輸入功率：	100 W
輸出音壓位准：	82 dB/W/m
頻率響應：	65 Hz-35 kHz
交叉頻率：	5 kHz
箱體容積：	2.6 L
尺寸：(寬×高×長)	439 × 130 × 91 mm
重量：	2.3 kg
音箱：	8cm 圓錐形低音音箱 × 2， 2.5 cm 均衡圓蓋形高頻音箱
其他：	磁性屏蔽

■ 環繞音箱 (SKM-230S)

類型：	2 路低音反射環繞音箱
阻抗：	8 Ω
最大輸入功率：	100 W
輸出音壓位准：	80 dB/W/m
頻率響應：	65 Hz-35 kHz
交叉頻率：	6.5 kHz
箱體容積：	2 L
尺寸：(寬×高×長)	130 × 340 × 91 mm
重量：	1.6 kg
音箱：	8 cm 圓錐形低音音箱， 2.5 cm 均衡圓蓋形高頻音箱
其他：	磁性屏蔽

規格外觀變化，恕不提前通知。

ONKYO CORPORATION

Sales & Product Planning Div. : 2-1, Nisshin-cho, Neyagawa-shi, OSAKA 572-8540, JAPAN
Tel: 072-831-8023 Fax: 072-831-8124

ONKYO U.S.A. CORPORATION

18 Park Way, Upper Saddle River, N.J. 07458, U.S.A.
Tel: 201-785-2600 Fax: 201-785-2650 <http://www.onkyousa.com>

ONKYO EUROPE ELECTRONICS GmbH

Liegnitzerstrasse 6, 82194 Groebenzell, GERMANY
Tel: +49-8142-4401-0 Fax: +49-8142-4401-555 <http://www.onkyo.net>

ONKYO CHINA LIMITED

Units 2102-2107, Metroplaza Tower I, 223 Hing Fong Road, Kwai Chung,
N.T., HONG KONG Tel: 852-2429-3118 Fax: 852-2428-9039



SN 29343855

(C) Copyright 2004 ONKYO CORPORATION Japan. All rights reserved.

I0406-1